

E-B228-AFS^{PRO}

2MP Full Color Dual Light Bullet Network Camera

Accessories

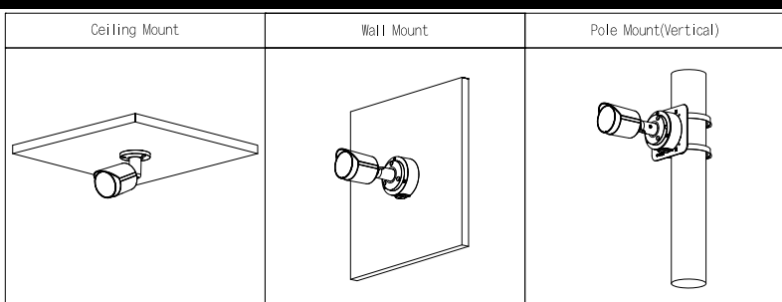
PFA134



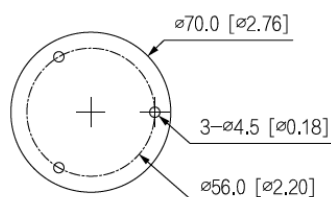
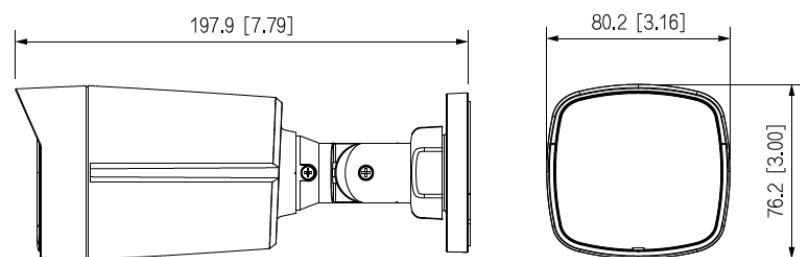
PFA152-E



Installation Method



Dimensions mm (inch)



Technical Specification

Camera

Image Sensor	1/2.8" CMOS
Max. Resolution	1920 (H) × 1080 (V)
ROM	128 MB
RAM	128 MB
Scanning System	Progressive
Electronic Shutter Speed	Auto/Manual 1/3 s–1/100,000 s
Min. Illumination	0.005 lux@F1.6 (Color,30 IRE) 0.0005 lux@F1.6 (B/W,30 IRE) 0 lux (Illuminator on)
S/N Ratio	>56 dB
Illumination Distance	50 m (IR LED) 50 m (Warm Light)
Illuminator On/Off Control	Auto / Manual
Illuminator Number	2 (IR LED); 2 (Warm light)
Pan/Tilt/Rotation Range	Pan: 0°–360° Tilt: 0°–90° Rotation: 0°–360°

Technical Specification

Lens

Lens Type	Fixed-focal			
Lens Mount	M12			
Focal Length	2,8 mm			
Max. Aperture	F1.6			
Field of View	H: 104°; V: 55°; D: 124°			
Iris Control	Fixed			
Close Focus Distance	0,8 m			
DORI Distance	Detect	Observe	Recognize	Identify
	44,1 m	17,7 m	8,8 m	4,4 m

Intelligence

Human Detection	Support the classification and accurate detection of human
Smart Search	Work together with Smart NVR to perform refine intelligent search, event extraction and merging to event videos

Video

Video Compression	H.265; H.264; H.264H; H.264B; MJPEG (only supported by the sub stream)
Smart Codec	Smart H.265+; Smart H.264+
Video Frame Rate	Main stream: 1920 × 1080@(1–25/30 fps) Sub stream: 704 × 576@(1–25 fps)/704 × 480@(1–30 fps) *The values above are the max. frame rates of each stream; for multiple streams, the values will be subjected to the total encoding capacity.
Stream Capability	2 streams
Resolution	1080p (1920 × 1080); 1.3M (1280 × 960); 720p (1280 × 720); D1 (704 × 576/704 × 480); VGA (640 × 480); CIF (352 × 288/352 × 240)
Bit Rate Control	CBR/VBR
Video Bit Rate	H.264: 32 kbps–4096 kbps H.265: 12 kbps–4096 kbps
Day/Night	Auto (ICR)/Color/B/W
BLC	Yes
HLC	Yes
WDR	DWDR
White Balance	Auto; natural; street lamp; outdoor; manual; regional custom
Gain Control	Manual; Auto
Noise Reduction	3D NR
Motion Detection	OFF/ON (4 areas, rectangular)
Region of Interest (RoI)	Yes (4 areas)
Smart Illumination	Yes
Image Rotation	0°/90°/180°/270° (Support 90°/270° with 2688 × 1520 resolution and lower)
Mirror	Yes
Privacy Masking	4 areas

Audio

Built-in MIC	Yes
Audio Compression	G.711a; G.711Mu; PCM; G.726

Alarm

Alarm Event	Network disconnection; IP conflict; illegal access; motion detection; video tampering; audio detection; SMD (human); security exception
-------------	---

Network

Network Port	RJ-45 (10/100 Base-T)
SDK and API	Yes
Network Protocol	IPv4; IPv6; HTTP; TCP; UDP; ARP; RTP; RTSP; RTCP; RTMP; SMTP; FTP; DHCP; DNS; DDNS; NTP; Multicast; ICMP; IGMP; P2P
Interoperability	ONVIF (Profile S; Profile T); CGI
User/Host	6 (Total bandwidth: 24 M)
Storage	FTP
Browser	IE; Chrome; Firefox
Management Software	Smart PSS Lite; DSS; DMSS, Easy Viewer Pro / Plus
Mobile Client	iOS; Android
Cyber Security	Configuration encryption; Trusted execution; Digest; Security logs; HTTPS; Trusted upgrade; WSSE; Trusted boot; Account lockout; Generation and importing of X.509 certification; Video encryption

Certification

Certifications	CE-LVD: EN62368-1 CE-EMC: Electromagnetic Compatibility Directive 2014/30/EU
----------------	---

Power

Power Supply	12 VDC/PoE (802.3af)
Power Consumption	Basic: 1.8 W (12 VDC); 2.3 W (PoE) Max. (H.265 + intelligence on+ WDR + illuminator intensity): 6.3 W (12 VDC); 7.8 W (PoE)

Environment

Operating Temperature	–40 °C to +60 °C
Operating Humidity	≤95%
Storage Temperature	–40 °C to +60 °C
Storage Humidity	≤95%
Protection	IP67

Technical Specification

Structure

Casing Material	Metal+plastic
Product Dimensions	197.9 mm × 80.2 mm × 76.2 mm
Net Weight	0.47 kg
Gross Weight	0.59 kg